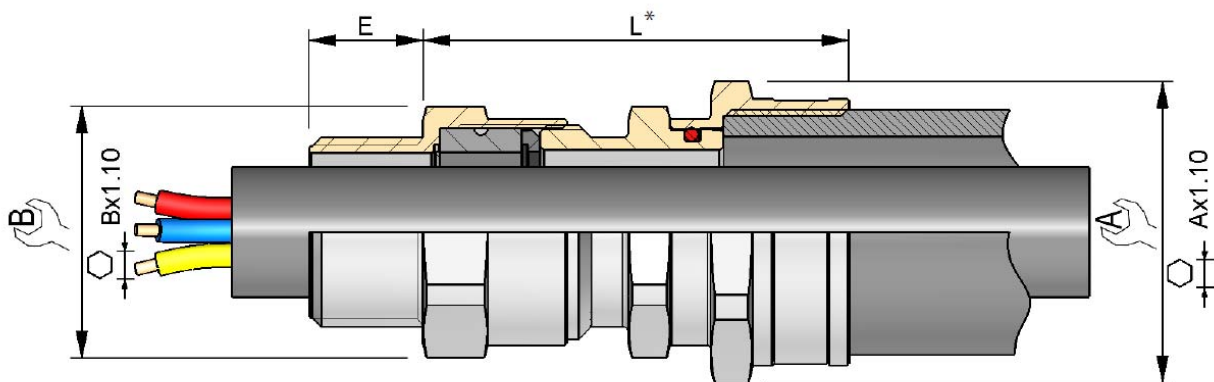
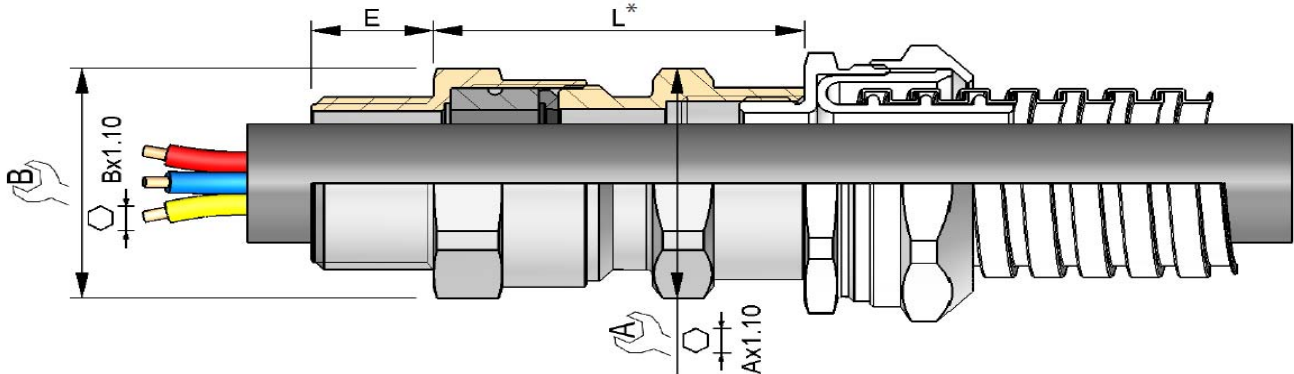


- 產品型號: ADCS 系列
- 防爆等級: IECEx: Zones 1 and 2, Groupes IIA, IIB and IIC  
Zone 21 and 22, Groupes IIIA, IIIB and IIIC  
Ex db IIC / Ex eb IIC / Ex nRc IIC / Ex tb IIIC
- 保護等級: IP66
- 材 質: 銅鍍鎳
- 適 用 於: 非鍍裝 NPT 鐵管



型號	外 牙 管 徑			電 纜 外 徑 (mm)			內 牙 管 徑	
	ISO	NPT	Size Code	cable range	Min.	Max.	ISO	NPT
ADCS	M20	1/2"	N050	2	7.0	12.0	M20	N050
ADCS	M20	1/2"	N050	3	10.0	16.0	M20	N050
ADCS	M25	3/4"	N075	3	13.5	20.5	M25	N075
ADCS	M25	3/4"	N075	3	13.5	20.5	M32	N100
ADCS	M32	1"	N100	3	18.0	27.5	M32	N100
ADCS	M32	1"	N100	3	18.0	27.5	M40	N125
ADCS	M40	1-1/4"	N125	3	23.0	34.0	M40	N125
ADCS	M40	1-1/4"	N125	3	23.0	34.0	M50	N150
ADCS	M50	1-1/2"	N150	1	23.0	34.0	M50	N150
ADCS	M50	1-1/2"	N150	2	29.0	41.0	M50	N150
ADCS	M63	2"	N200	3	42.0	56.0	M63	N200
ADCS	M63	2"	N200	3	42.0	56.0	M75	N250
ADCS	M75	2-1/2"	N250	3	50.0	65.0	M75	N250
ADCS	M75	2-1/2"	N250	3	50.0	65.0	M90	N300

- 產品型號: ADCC 系列
- 防爆等級: IECEx: Zones 1 and 2, Groupes IIA, IIB and IIC  
Zone 21 and 22, Groupes IIIA, IIIB and IIIC  
Ex db IIC / Ex eb IIC / Ex nRc IIC / Ex tb IIIC
- 防水防塵: IP66
- 適用於: 非鍍裝 NPT 鐵管及防爆軟管



型號	外 牙 管 徑			電 纜 外 徑 (mm)			內 牙 管 徑	
	ISO	NPT	Size Code	Cable Range	Min.	Max.	ISO	NPT
ADCC	M20	1/2"	N050	3	7.0	12.0	M20	N050
ADCC	M20	1/2"	N050	3	10.0	16.0	M20	N050
ADCC	M25	3/4"	N075	3	13.5	20.5	M25	N075
ADCC	M25	3/4"	N075	3	13.5	20.5	M32	N100
ADCC	M32	1"	N100	3	18.0	27.5	M32	N100
ADCC	M32	1"	N100	3	18.0	27.5	M40	N125
ADCC	M40	1-1/4"	N125	3	23.0	34.0	M40	N125
ADCC	M40	1-1/4"	N125	3	23.0	34.0	M50	N150
ADCC	M50	1-1/2"	N150	1	23.0	34.0	M50	N150
ADCC	M50	1-1/2"	N150	2	29.0	41.0	M50	N200
ADCC	M63	2"	N200	3	42.0	56.0	M63	N200
ADCC	M63	2"	N200	3	42.0	56.0	M75	N250
ADCC	M75	2-1/2"	N250	3	50.0	65.0	M75	N250
ADCC	M75	2-1/2"	N250	3	50.0	65.0	M90	N300
ADCC	M90	3"	N300	2	58.0	74.0	M90	N300
ADCC	M90	3"	N300	3	66.0	78.0	M90	N300
ADCC	---	3-1/2"	N350	2	66.0	78.0	M90	N300
ADCC	---	3-1/2"	N350	3	75.0	92.0	M90	N300
ADCC	M110	4"	N400	3	85.0	85.0	M90	N300

